

F8914 User Manual	Product Version	Page
	V1.16	
	Product Name: F8914	Total:26

# F8914 User Manual

The user manual is suitable for the following model:

Model	Product Type
F8914-N	ZigBee Terminal
F8914-E	ZigBee Terminal(with PA)



**Xiamen Four-Faith Communication Technology Co., Ltd.**

Add:J1-J3,3rd Floor,No.44,GuanRi Road,SoftWare Park,XiaMen,China

Zip Code: 361008

Tel: +86 592-5907276

Fax: +86 592-5912735

<http://en.four-faith.com>

Email: [nick@four-faith.com](mailto:nick@four-faith.com) Tel: [+0086-592-5907276/5907277](tel:+0086-592-5907276/5907277)

Web: [en.four-faith.com](http://en.four-faith.com)

Add: 3rd Floor, No.44 Guan Ri Road, Software Park, Xiamen, China




## Files Revised Record

Date	Version	Remark	Author
2012-03-21	V1.0		Lake Chen
2012-10-31	V1.1	Power consumption, interface modification, etc	Harven
2013-01-18	V1.11	Add ZigBee simply description and Sleep mode description	Tady Chen
2013-03-05	V1.12	Modify the sleep method; Add work mode AT command	Tady Chen
2013-07-04	V1.13	Add API configure command description, and route sleep mode configure.	Tady Chen
2014-09-20	V1.14	Add appendix	ZXZ
2015.05.25	V1.15	Update Power Consumption	Cm.chen
2015.11.12	V1.16	Delete AT mode and API mode description	ZXZ

## Copyright Notice

All contents in the files are protected by copyright law, and all copyrights are reserved by Xiamen Four-Faith Communication Technology Co., Ltd. Without written permission, all commercial use of the files from Four-Faith are forbidden, such as copy, distribute, reproduce the files, etc., but non-commercial purpose, downloaded or printed by individual (all files shall be not revised, and the copyright and other proprietorship notice shall be reserved) are welcome.

## Trademark Notice

Four-Faith、四信、、、 are all registered trademarks of Xiamen Four-Faith Communication Technology Co., Ltd., illegal use of the name of Four-Faith, trademarks and other marks of Four-Faith is forbidden, unless written permission is authorized in advance.



# Contents

Contents.....	5
Chapter 1 Brief Introduction of Product.....	7
1.1 General.....	7
1.2 Features and Benefits.....	7
1.3 Working Principle.....	8
1.4 Specifications.....	9
Chapter 2 Installation Introduction.....	11
2.1 General.....	11
2.2 Encasement List.....	11
2.3 Installation and Cable Connection.....	12
2.4 Power.....	16
2.5 Indicator Lights Introduction.....	16
Chapter 3 Zigbee Description.....	17
3.1 Device Type Description.....	17
3.1.2 Coordinator.....	17
3.1.2 Router.....	17
3.1.3 End Device.....	17
3.2 ZigBee Network Description.....	18
3.2.1 Form a ZigBee Network Procedure.....	18
3.2.2 Physical Channel.....	18
3.2.3 PAN ID.....	18
3.2.4 Node address.....	18
Chapter 4 Configuration.....	19
4.1 Configuration Connection.....	19
4.2 Configuration Introduction.....	19
4.3 Run the configure tool: ZigbeeConfigure.exe.....	20
4.4 Modes of Operation.....	21
4.4.1 Transparent mode.....	21
4.4.2 AT command mode.....	21
4.4.3 API mode.....	21
4.5 Device sleep mode configuration description.....	23
4.5.1 Timer sleep.....	23
4.5.2 Deep sleep.....	23
Appendix.....	24
A1 Notes.....	24
A1.1 Serial port' s frame interval.....	24
A1.2 About the factory setting.....	24
A1.3 About the network parameters.....	24
A1.4 Sleep mode.....	24

---

A1.5 Work mode.....	24
A1.6 Power on timing.....	24
A1.7 Transmit Power.....	25
A2 FAQ.....	26
FAQ1: Configure parameters fail.....	26
FAQ2: With right parameters, but add network fail.....	26
FAQ3: In network, but send data fail.....	26
FAQ4: Can not enter sleep.....	26

# Chapter 1 Brief Introduction of Product

## 1.1 General

F8914 is a kind of data terminal device that provides data transfer function by ZigBee network.

It adopts high-powered industrial CPU and embedded real time operating system. It supports RS232, RS485 (or RS422) and ZigBee port that can conveniently and transparently connect one device to a cellular network, allowing you to connect to your existing serial and ZigBee devices with only basic configuration. It has low power consumption states in which the power consumption 2.2mA@12VDC. It has compatible digital I/O channel, ADC function.

It has been widely used on M2M fields, such as intelligent transportation, smart grid, industrial automation, telemetry, finance, POS, water supply, environment protection, post, weather, and so on.

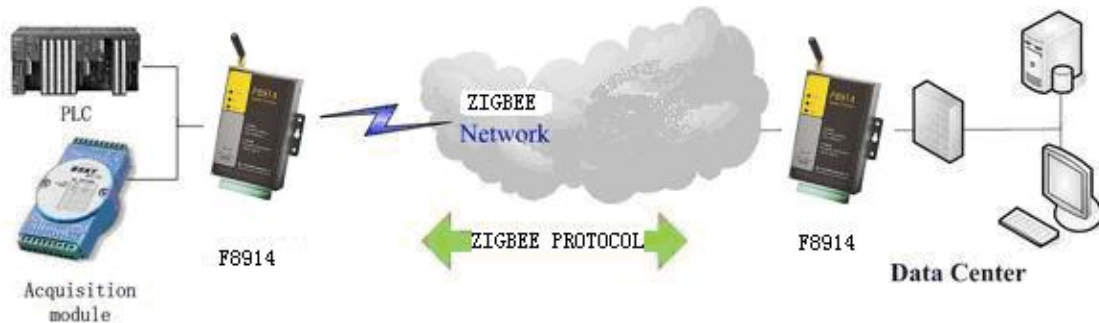


Figure 1-1 F8914 Application Topology

## 1.2 Features and Benefits

### Design for Industrial Application

- ◆ High-powered industrial ZigBee module
- ◆ Support low power consumption mode, including multi-sleep and trigger modes to reduce the power dissipation farthest
- ◆ Housing: iron, providing IP30 protection
- ◆ Power range: DC 5~35V

### Stability and Reliability

- ◆ Support hardware and software WDT
- ◆ Support auto recovery mechanism
- ◆ RS232/RS485/RS422 port: 15KV ESD protection
- ◆ SIM/UIM port: 15KV ESD protection
- ◆ Power port: reverse-voltage and over-voltage protection
- ◆ Antenna port: lightning protection(optional)

### Standard and Convenience

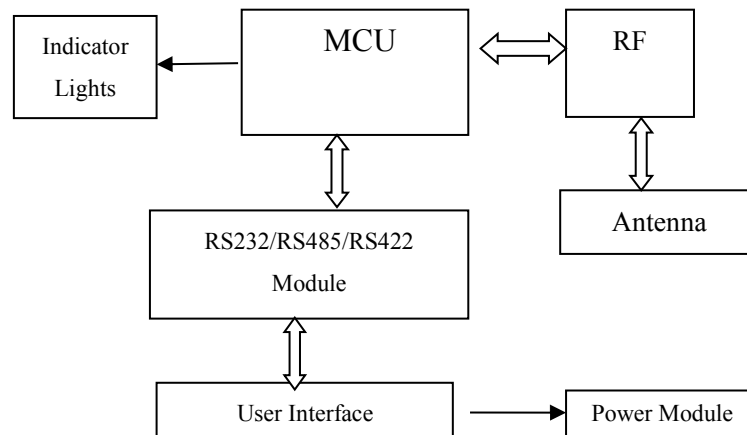
- ◆ Adopt terminal block interface, convenient for industrial application
- ◆ Support standard RS232 and RS485(or RS422) port that can connect to serial devices directly
- ◆ TTL logic level RS232 interface can be customized
- ◆ Support intellectual mode, enter into communication state automatically when powered
- ◆ Support several work modes
- ◆ Convenient configuration and maintenance interface

### High-performance

- ◆ Support ZigBee wireless short-distance data transmission
- ◆ Support repeater and terminal device function
- ◆ Support Point-to-Point, Point-to-Multipoint, Peer-to-Peer and Mesh network
- ◆ Support 65000 nodes
- ◆ Support center node, route node and terminal node
- ◆ Support broadcast and target address transfer
- ◆ Support wide communication range
- ◆ Supply 5 I/O channels, 3 analog inputs and 2 pulse input counters.

## 1.3 Working Principle

The principle chart of the F8914 is as following:





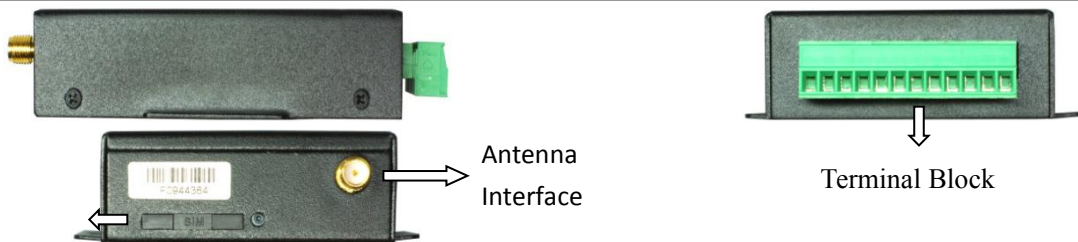
## 1.4 Specifications

### ZigBee Specification

Item	Content
ZigBee Module	Industrial ZigBee module
Standard and Band	IEEE 802.15.4 ISM 2.4 GHz
Indoor/Urban Range	30m 90m(With PA)
Outdoor/RF Line-of-Sight Range	500m 2000m(With PA)
Transmit Power	2.82mw (+4.5dBm) 100 mw (+20dBm) (With PA)
Bandwidth	250Kbps
Receiver Sensitivity	-97dBm -103dBm(With PA)
Network Topology	Point-to-Point, Peer-to-Peer and Mesh
Channels	11 to 26
Max Serial Buffer Size	300 Bytes

### Interface Type

Item	Content
Serial	1 RS232 port and 1 RS485(orRS422) port, 15KV ESD protection Data bits: 8 Stop bits: 1, 2 Parity: none, odd, even Baud rate: 300, 600, 1200, 2400, 4800, 9600, 19200, 38400, 57600, 115200 bps
Indicator	"Power", "ACT", "Online"
Antenna	Standard SMA female interface, 50 ohm, lightning protection(optional)
Power	Terminal block interface, reverse-voltage and over-voltage protection



**Power Input**

Item	Content
Standard Power	DC 12V/0.5A
Power Range	DC 5~35V

**Power Consumption**

Working States		Power Consumption
F8914-N	RX Mode	≤15mA/12V@4.5dBm
	TX Mode	≤20mA/12V@4.5dBm
	Timing wake up	≤3.5mA/12V@4.5dBm
	Deep Sleep	≤2.5mA/12V@4.5dBm
F8914-E	RX Mode	≤15mA/12V@21dBm
	TX Mode	≤80mA/12V@21dBm
	Timing wake up	≤4.5mA/12V@21dBm
	Deep Sleep	≤3.5mA/12V@21dBm

**Physical Characteristics**

Item	Content
Housing	Iron, providing IP30 protection
Dimensions	91x58.5x22 mm
Weight	205g

**Environmental Limits**

Item	Content
Operating Temperature	-40~+85°C (-104~+185 °F)
Storage Temperature	-40~+125°C (-104~+257°F)
Operating Humidity	95% ( Non-condensing)

## Chapter 2 Installation Introduction

### 2.1 General

The F8914 must be installed correctly to make it work properly. There is need only one coordinator in a network, the other nodes should be set as routers or end devices.

Install the coordinator first, then install the routers or end devices from near to distant.

*Warning: Forbid to install the F8914 when powered!*

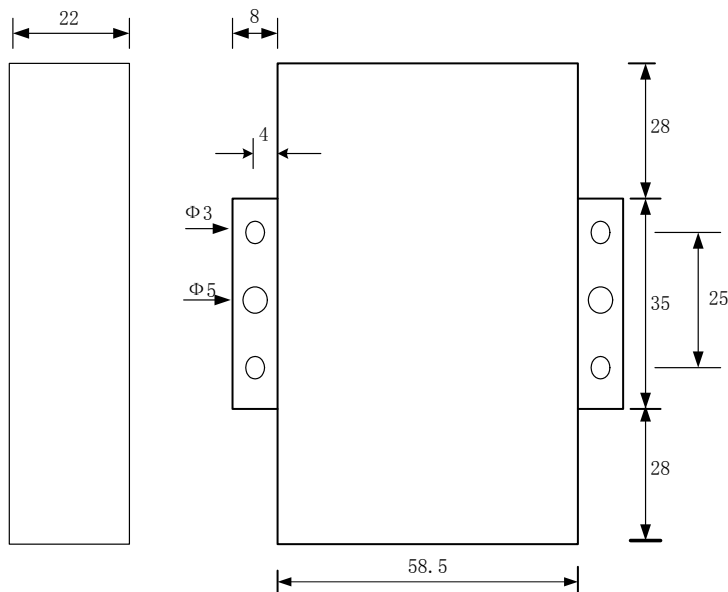
### 2.2 Encasement List

Name	Quantity	Remark
F8914 host	1	
Power adapter	1	
RS232 data cable	1	optional
RS485 data cable	1	optional
Manual CD	1	
Certification card	1	
Maintenance card	1	

**Table 2-1 Encasement List**

## 2.3 Installation and Cable Connection

**Dimension: (unit: mm)**



**Figure 2-1 Installation Chart**

### Installation of antenna:

Screw the SMA male pin of the antenna to the female SMA outlet of F8914 tightly.

*Warning: The antenna must be screwed tightly, or the signal quality of antenna will be influenced!*

Antenna install note:

- 1, Install the antenna far away from the large area metal and ground.
  - 2, Keep the antennas visual.
  - 3, Minimize obstructions between the antennas.
  - 4, Reduce the extension cords of the antenna.
- The performance of different antenna installation types, as the figure 2-2.

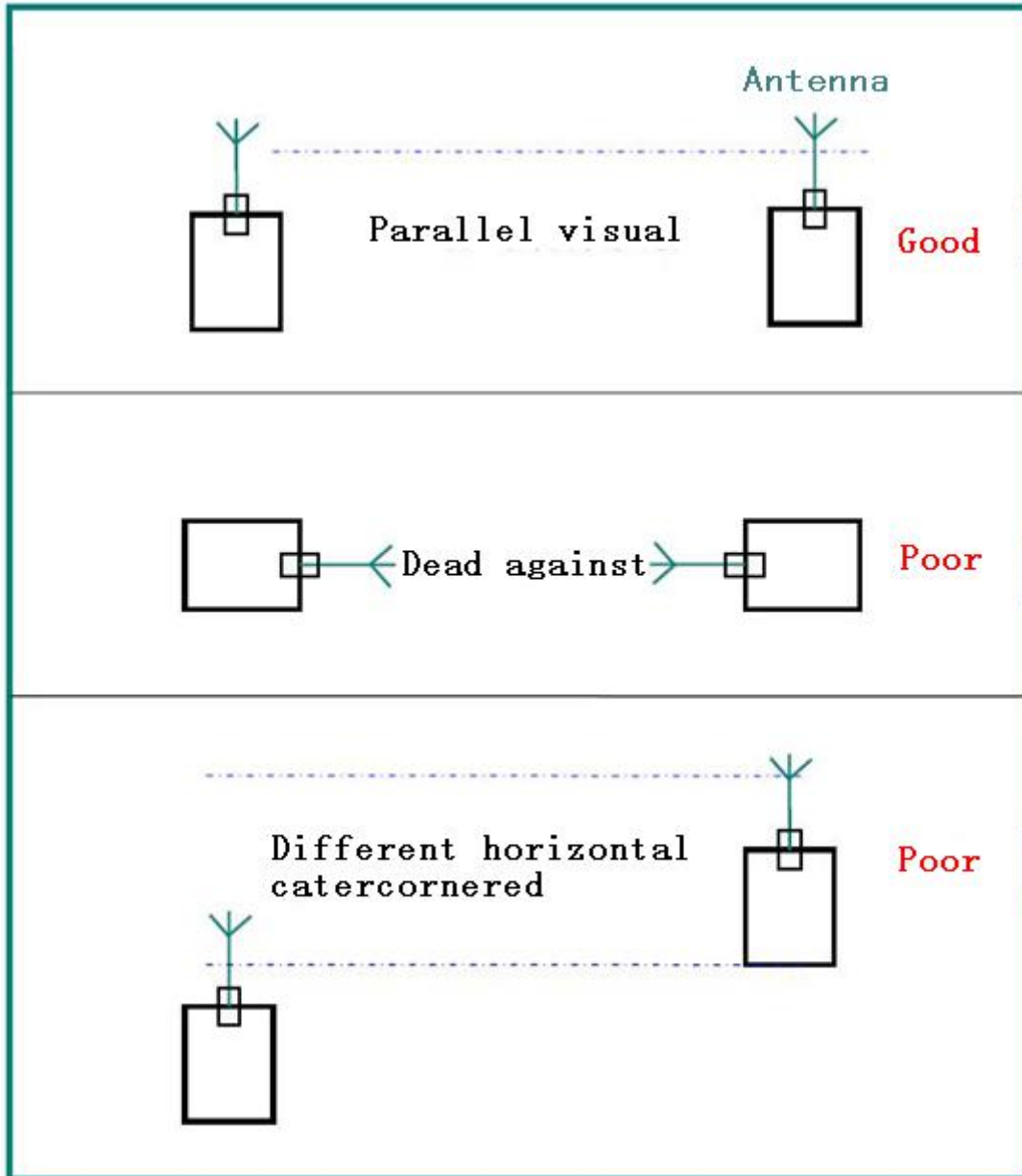


Figure 2-2 Installation antenna mode

**User Interface Signal Definition**

Pin Number	Signal Name	Default Function	Extensible Function
1	PWR	Power input anode	N/A
2	GND	Power Ground	N/A
3	GND	Power Ground	N/A
4	RX	RS232 RX	N/A
5	TX	RS232 TX	N/A
6	A	RS485 anode	N/A
7	B	RS485 cathode	N/A
8	IO1	GPIO	pulse input count/sleep control
9	IO2	GPIO	pulse input count/sleep indicate
10	IO3	ADC, analog input function (voltage acquisition 0 ~ 5 V)	GPIO
11	IO2	ADC, analog input function (current collection 0 ~ 20 mA)	GPIO
12	IO1	ADC, analog input function (current collection 0 ~ 20 mA)	GPIO



**Installation of cable:**

F8914 adopts industrial terminal block interface. The recommended cable is 28-16AWG. The detail description of standard layout adapter and communication cables as the following:

Adapter (Rating Output 12VDC/0.5A):

Cable Color	Power Output Polarity
Black & White Alternate	Anode
Black	Cathode

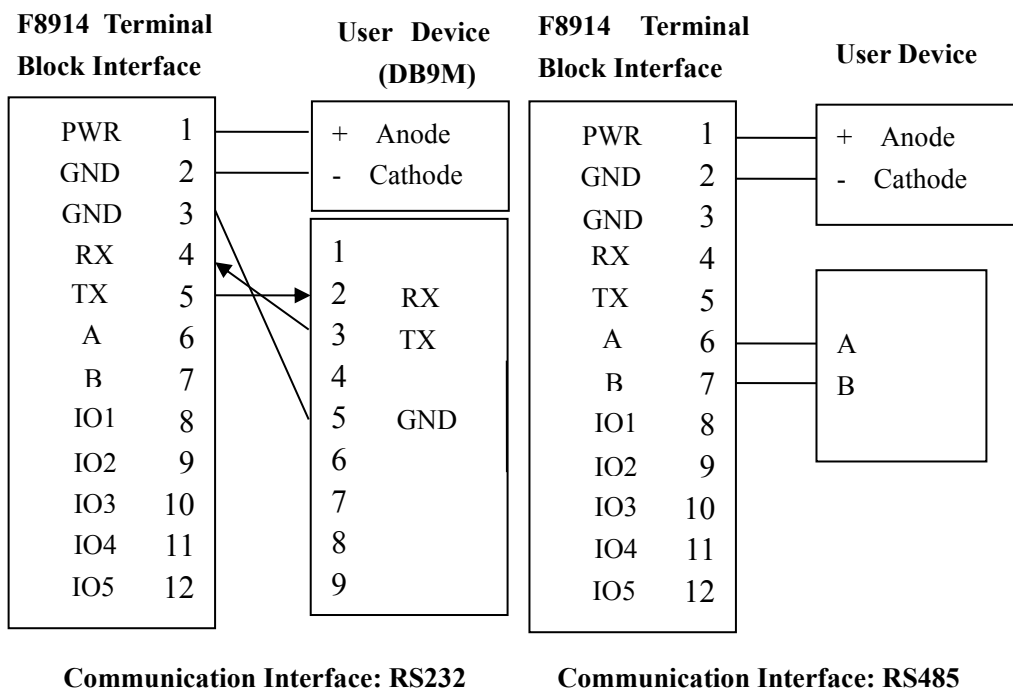
RS232 Cable:

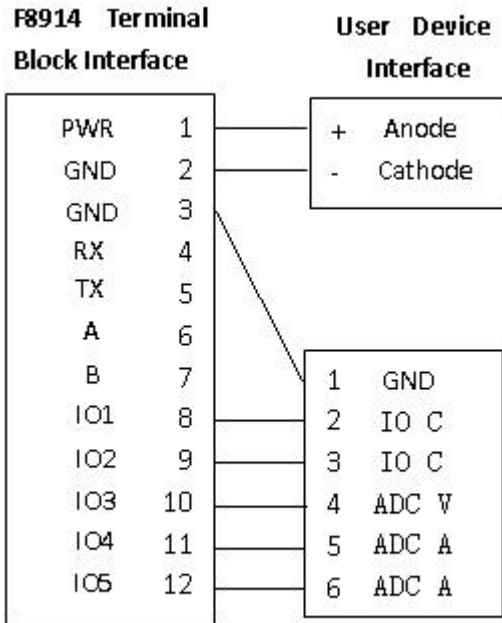
Cable Color	Corresponding DB9-M Pin Number
Brown	Pin 2
Blue	Pin 3
Black	Pin 5

RS485 Cable:

Cable Color	Signal definition
Red	RS485(A)
Black	RS485(B)

Power adapter and communication cable connection chart as following:





Communication Interface: IO/ADC

## 2.4 Power

The power range of the IP MODEM is DC 5~35V

**Warning:** When we use other power, we should make sure that the power can supply power above 4W.

We recommend user to use the standard DC 12V/0.5A power adapter.

## 2.5 Indicator Lights Introduction

The F8914 provides three indicator lights: “Power”, “ACT”, “Online”.

Indicator Light	State	Introduction
Power	ON	F8914 is powered on
	OFF	F8914 is powered off
ACT	BLINK	Serial Data is communicating
	OFF	No data
Online	ON	F8914 has logged on network
	OFF	F8914 hasn't logged on network
	FLASH	Joining or establishing a network



## Chapter 3 Zigbee Description

### 3.1 Device Type Description

ZigBee device has three types: coordinator,router and end device.They all can transmit and receive data.

#### 3.1.2 Coordinator

This is the device that “starts” a ZigBee network. It is the first device on the network. The coordinator node scans the RF environment for existing networks, chooses a channel and a network identifier (also called PAN ID) and then starts the network.

Note that the role of the Coordinator is mainly related to starting up and configuring the network. Once that is accomplished, the Coordinator behaves like a Router node (or may even go away). The continued operation of the network does not depend on the presence of the Coordinator due to the distributed nature of the ZigBee network.

#### 3.1.2 Router

A Router performs functions for allowing other devices to join the network multi-hop routing assisting in communication for its child battery-powered end devices.

In general, Routers are expected to be active all the time and thus have to be mains-powered.

#### 3.1.3 End Device

An end-device has no specific responsibility for maintaining the network infrastructure, so it can sleep and wake up as it chooses. Thus it can be a battery-powered node.

## 3. 2 ZigBee Network Description

### 3.2.1 Form a ZigBee Network Procedure

( 1 ) The coordinator node scans the RF environment for existing networks, chooses a channel and a network identifier (also called PAN ID) and then starts the network.

( 2 ) Router or end device also scans the RF environment for existing networks, chooses a channel and a network identifier (also called PAN ID) and then join the network.

( 3 ) The coordinator's node address fixed to 0x0000, router's or end device's node address can be assigned randomly or configured previously.

( 4 ) The nodes in the network can use node address transmit or receive data.◦

**NOTE: In a Zigbee network, just only using one coordinator**

### 3.2.2 Physical Channel

ZigBee is based on IEEE 802.15.4 that has defined the MAC layer and physical layer. IEEE 802.15.4 also defined 3 work band 2.5GHz(global),868MHz(Europe) and 915MHz(USA),they respectively has highest 250kbit/s, 40kbit/s, 20kbit/s transmission rate. On the three band has 27 work channels in total. 2.4GHz has 16 channels, 915MHz has 10 channels, 868MHz has only one channel.

Four-Faith ZigBee product works on 2.4GHz band, and has 16 physical channel. In AT command mode ,we send "AT+CHA=N", (N=11~26) to configure the channel. We recommend 15 ,20 ,25 ,26 channel .

### 3.2.3 PAN ID

ZigBee network also calls personal area network, every personal area network has unique Pan ID. This Pan ID is used on every device in a same ZigBee network.

Four-Faith ZigBee product can pre-configure a Pan ID and randomly select a Pan ID. In AT command mode ,we send "AT+PID=N", (N=0-65531), if PID=65535 ,it will randomly select a Pan ID.

### 3.2.4 Node address

ZigBee device has two address types: 64 bit MAC address and 16 bit node address. 64 bit MAC address is unique in the world, and used in the product life. 16 bit node address usually assigned when the device joined in the network. It's unique in a same Pan ID network. We use node address to send and receive data.

Four-Faith ZigBee product can pre-configure a node address and randomly assigned a node address. In AT command mode, if received "AT+NID=65535", it will randomly assigned a node address.

## Chapter 4 Configuration

### 4.1 Configuration Connection

Before configuration, It's necessary to connect the device with the configure PC by the shipped RS232 or RS232-485 conversion cable.As showing in the figure 4-1.



Figure 4-1 F8914 connect with PC

### 4.2 Configuration Introduction

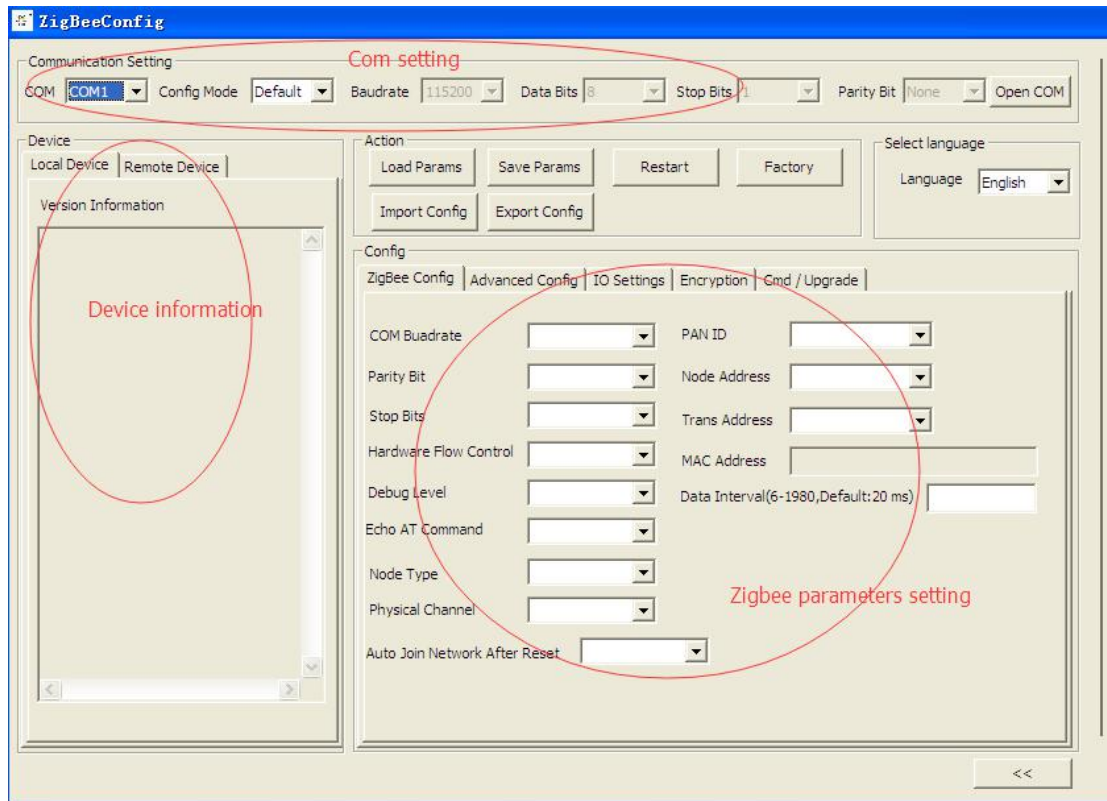
There are two ways to configure the device:

- ◆ Configuration software tool: All the settings are configured through the shipped software tool. It's necessary to have one PC to run this tool.
- ◆ Extended AT command: All the settings are configured through AT command, so any device with serial port can configure it. Before configuration with AT command, you should make device enter configure state.

The following describes how to configure device with AT command .At the same time, it gives out the corresponding the configure software tool of each configuration item.

Note: When device powers on, after three seconds, it is in configuration time(during 3 seconds, Please reference to Appendix in detail).During this time, the network not works,and the serial's baud rate is 115200,no parity, 1 stop bit. Send the 3-character command sequence“+++”twice through serial port.Then it goes into AT command configuration.

### 4.3 Run the configure tool: ZigbeeConfigure.exe




**Figure 4-2 ZigbeeConfig tool**

The “Communication Setting” column shows the current serial port settings. To configure ZigBee modules, please choose the correct serial port parameters ,then open the serial port. If the button text is“Close”, it shows the serial port now has been opened. If the text is “Open”, you should open the port first.

When you had configure the correct serial port, the device will enter configure state after power on.

The configure tool window contains “Com setting”, “Device information” and “Zigbee parameters setting” .

Press  button can show or hide the log information.

## 4.4 Modes of Operation

F8914 supports three modes of Operation: Transparent Mode, AT Command Mode and API Mode.

### 4.4.1 Transparent mode

When operation in transparent mode the modules act as a serial line replacement. All UART data received through the DIN pin is queued up for RF transmission. When data is received, the data is sent out through the DOUT pin.

Re-power module enter the transparent mode by default.

To enter transparent mode:

- In the AT command mode, send “AT+ESC<CR><LF>” through serial port.
- In the API mode, send “FE 01 21 2A 00 0A” through serial port.

### 4.4.2 AT command mode

AT command mode is a multiple function operation. This mode can configure the modules parameters, send data and receive data.

To enter AT command mode:

- In the transparent mode, send the 3-character command sequence “+++” twice through serial port.
- In the API mode, send “FE 01 21 2A 00 0A” through serial port.

CHECK the AT command mode, send “AT<CR><LF>” through serial port, it will return “OK”.

All AT command line should begin with “AT” or “at” and end with “<CR><LF>”. In general, the AT command includes three forms, as shown in table 3-1.

**Table 3-1 AT command forms**

Form	Description	Instance
Set	Set the custom parameters	AT+XXX=<.....>
Query	Query the current parameters value	AT+XXX?
Execute	Execute the command	AT+XXX

Note: every configure item is set, it should send save command. Network param (PAN ID, Physical Channel, node address or device type changed), sleep param and serial param change should re-power device.

### 4.4.3 API mode

API operation requires that communication with the module be done through a structured interface (data is communicated in frames in a defined order). The API specifies how commands, command responses and module status messages are sent and received from the module using a UART Data Frame.

To enter API mode :

- In the transparent mode, send the 3-character command sequence“= = =”twice through serial port.
- In the AT command mode, send “AT+API<CR><LF>” through serial port.

The UART data frame structure is defined as follows:

SOF	Length	Command	Frame data	Frame check sequence
1 Byte	1 Byte	2 Bytes	xx Bytes (xx<82)	1 Byte

**SOF (Start of Frame):** This is a one byte field with value equal to 0xFE that defines the start of each general serial packet.

**Length :** 1 byte length of the actual data.

**Command :** 2 byte command Id.

**Frame data :** the data ranging from 0-82 bytes.

**FCS (Frame Check Sequence):**

This is a one byte field that is used to ensure packet integrity. This field is computed as an XOR of all the bytes in the message starting with LEN field and through the last byte of data. The following is a sample code FCS calculation:

```

unsigned char calcFCS(unsigned char *pMsg, unsigned char len)
{
    unsigned char result = 0;
    while (len--)
    {
        result ^= *pMsg++;
    }
    return result;
}

```

**Note:**1.Frame data some place need little-endian (node address,IO value and other set commands)  
 2.Every configure item is set, it should send save command.Network param(PAN ID,Physical Channel ,node address or device type changed),sleep param and serial param change should re-power device.

## 4.5 Device sleep mode configuration description

F8914 support router and end device configure Timer sleep and Deep sleep.

Note: 1. When device is not working on sleep mode, IO1\IO2 are used as GPIO input or output.

2. When device is working on sleep mode, IO1 is reused as external interrupt, IO2 is reused to indicate on-line or off-line.

### 4.5.1 Timer sleep

#### Function description:

Timer sleep can set the sleep interval, when it wake up, the device will wake up a certain time then it goes to sleep again.

After device waking up, if device successfully joined in the network IO2 will output low level to indicate online. If device unsuccessfully joined in the network or went into sleep IO2 will output high level to indicate off-line.

#### Configuration conditions

(1) Hardware: IO1 must connect to high level (3V ~3.3V).

(2) Software: Device should be configured as end device or router and Timer Sleep. The sleep interval must be greater than 0.

### 4.5.2 Deep sleep

#### Function description:

Deep sleep is waked up by external interrupt. When IO1 is low level, device not goes to sleep. When IO1 is high level (3V ~3.3V), device goes to deep sleep.

After device waking up, if device successfully joined in the network IO2 will output low level to indicate online. If device unsuccessfully joined in the network or went into sleep IO2 will output high level to indicate off-line.

#### Configuration conditions

(1) Hardware: Operate on IO1's level.

(2) Software: Device should be configured as end device or router and Deep Sleep.

# Appendix

## A1 Notes

### A1.1 Serial port's frame interval

Say serial port's baud rate 115200.

The serial port's frame interval is 20 ms. To ensure one packet in a frame, the interval must be smaller than 20 ms.

When the application received serial's data, the frame interval should be greater than 20 ms.

Please modify the frame interval value in other baud rate, corresponding to the case of the baud rate with 115200.

### A1.2 About the factory setting

Make sure to do factory setting, before modifying Pan ID, Physical channel and Node address!

### A1.3 About the network parameters

In a ZigBee network, it has only one pan id and only one node address. Unpredictable errors occurred in a ZigBee network with two same pans ids or node addresses.

### A1.4 Sleep mode

Sleep mode contains timer sleep and deep sleep. The power consume in timer sleep is greater in deep sleep. So in actual application, we suggested that the zigbee device work on deep sleep mode.

However, we suggest the route device should not work on deep sleep mode. Because in deep sleep work mode, it need more time to send data after device awake.

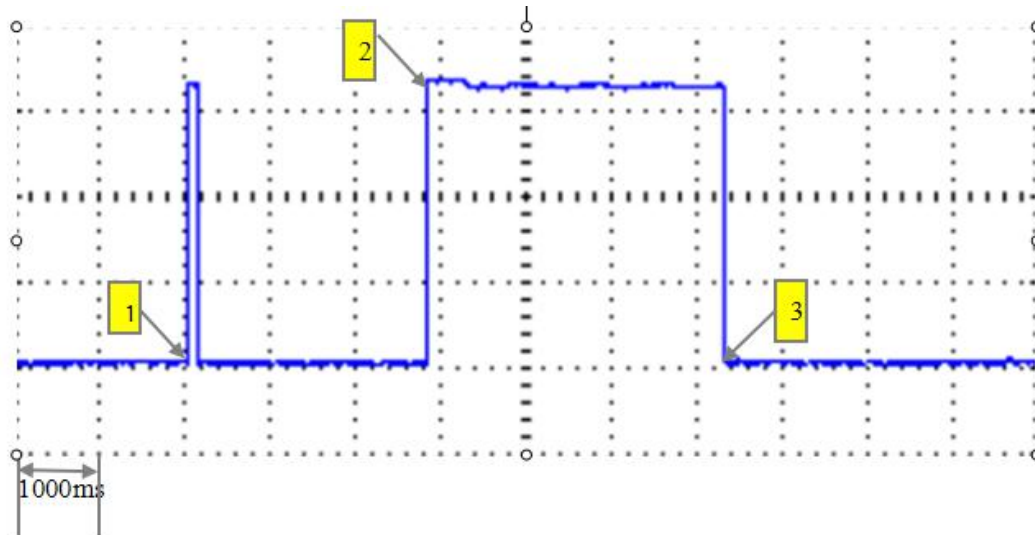
### A1.5 Work mode

On API work mode, the serial data should be avoid of 0xFE data.

On transparent work mode, the serial data should be avoid “+++” and “===” string.

### A1.6 Power on timing





FigureA1-1 Module's power on timing

As Figure A1-1, point 1 to 2 is system start up time, 2.9 second. During this period, the ZigBee module did not respond to any commands.

Point 2 to Point 3 is configure time, 3.2 second. During this period, the Zigbee module's serial port's baud rate is 115200 bps and work mode is transparent mode. After receiving “+++” string twice, responding to the peer with “OK”, the module will change to AT work mode. The interval between two ”+++” string, should in 50ms~200ms.100ms is recommended.

After Point 3, the module work on the pre-setting work mode. It can change the work mode to AT mode by sending twice “+++” string any time in normal work state. It will back to the original work mode, if it did not received any commands within one minute.

#### A1.7 Transmit Power

Keep more than 20cm distance between two ZigBee device, when tested or in practical application

## A2 FAQ

### **FAQ1: Configure parameters fail**

**Solution:** Please check the serial port number and the property of the serial ports, such as baud rate, parity.

### **FAQ2: With right parameters, but add network fail**

**Solution:** First Check that the antenna installation was OK. Then check the network parameters were correct,such as pan id, node address, physical channel. If everything is all right, try to factory the device,then add network and send data.

### **FAQ3: In network, but send data fail**

**Solution:** Please check the distance of the two device, make sure the distance is greater then 20 cm. Then confirm that the way of send data is right in the current work mode(eg. AT+TXA or AT+TXH on AT work mode). Please refer to the chapter 4.4.21 和 4.4.2.22

### **FAQ4: Can not enter sleep**

**Solution:** 1. On timer sleep mode, if the sleep time and awake time is 0, then the device will not enter sleep.

2. On deep sleep mode. Please check the sleep control(SLEP\_REQ) pin' s wire splice is OK and the control level is OK(high level make device sleep, otherwise awake)